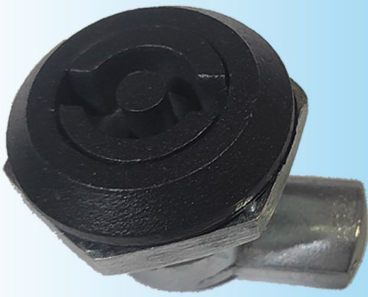


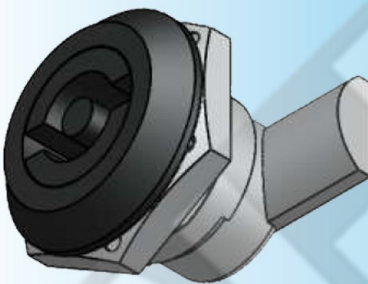
For Product Step File or 3D Model Send a Request Mail To [info@nrack.com](mailto:info@nrack.com)



Photo View

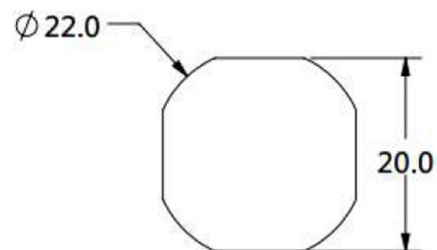
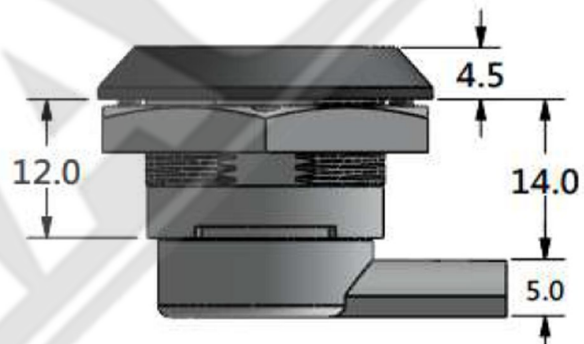
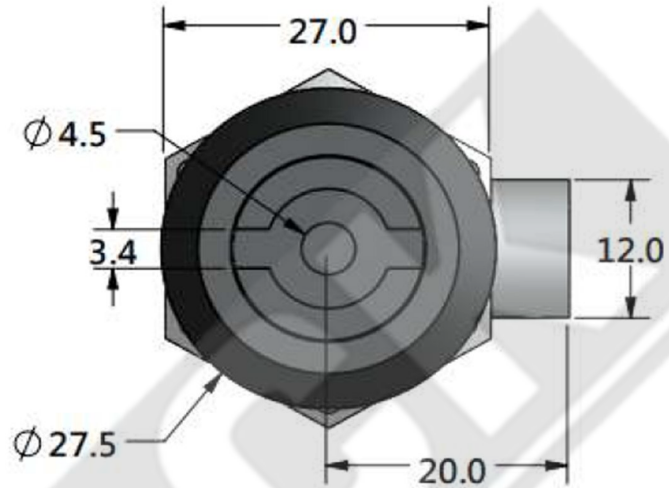


3D Rendered View



**MS 705-1-6B**

- Material: Zinc Die Casting Body
- Finish: Black Powder Coated



CUT OUT